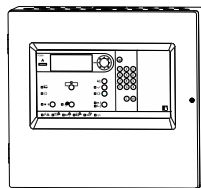


SIEMENS

	FC361-ZZ / FC361-ZA / FC362-ZZ / FC362-ZA
en	Fire control panel
de	Brandmeldezentrale
fr	Équipement de contrôle et signalisation
es	Unidad de control de detección de incendios
it	Centrale rivelazione incendio
tr	Yangın kontrol paneli

- en Installation
- de Montage
- fr Montage
- es Montaje
- it Montaggio
- tr Kurulum



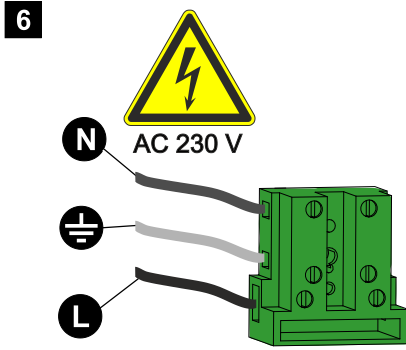
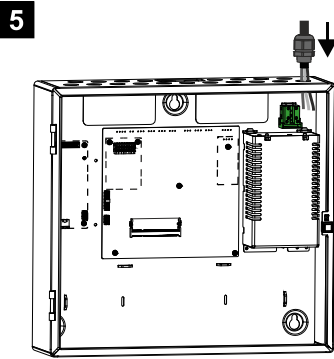
FC361-ZZ, S54433-C112-A1
 FC361-ZA, S54433-C111-A1
 FC362-ZZ, S54433-C119-A1
 FC362-ZA, S54433-C120-A1

1

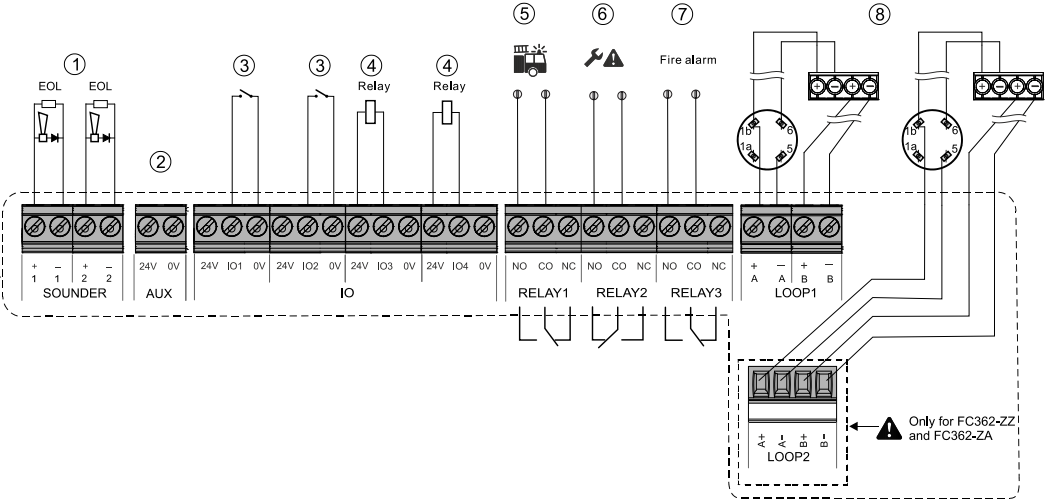
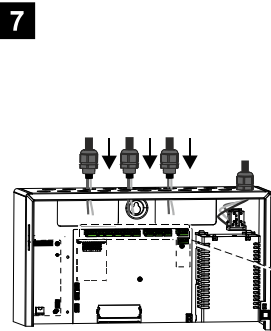
2

3

4



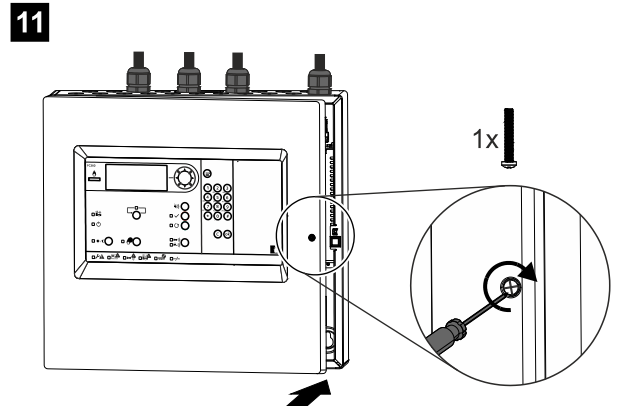
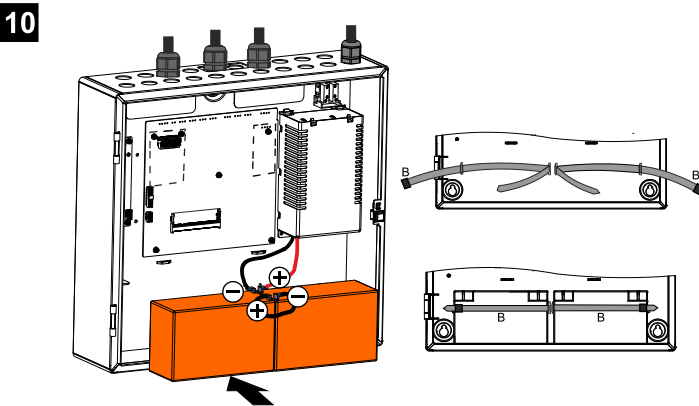
en	Switch off main supply AC 230 V
de	Netzspeisung AC 230 V ausschalten
fr	Couper l'alimentation réseau AC 230 V
es	Desconectar la fuente de alimentación de red AC 230 V
it	Disinserire l'alimentazione di rete AC 230 V
tr	AC 230 V ana beslemesini kapatın



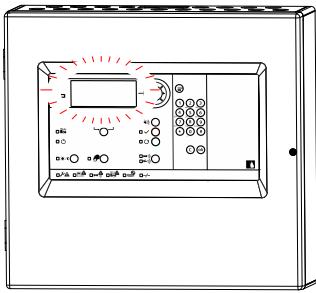
- 8**
- EOL Resistor 2.2 kΩ
 - Relay Output module FCA1209-Z1
 - 1 Connection of sounder line
 - 2 Aux. power supply DC 24 V / 0.2 A
 - 3 Connection as 'Input'
 - 4 Connection as 'Unmonitored output'
 - 5 Connection as 'RT fire' output
 - 6 Connection as 'RT fault' output
 - 7 Connection as 'Fire control' output
 - 8 Connection of detector line(s)

9

en	Switch on main supply AC 230 V
de	Netzspeisung AC 230 V einschalten
fr	Allumer l'alimentation réseau AC 230 V
es	Conectar la fuente de alimentación de red AC 230 V
it	Inserire l'alimentazione di rete AC 230 V
tr	AC 230 V ana beslemesini açın



12

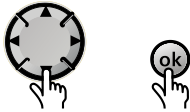


13

Select Country

Factory setting

BE: Belgium
 BG: Bulgaria
 BR: Brazil
 CZ: Czech Republic
 DE: Germany



14

Select Language

Bulgarian
 Croatian
 Czech
 Dutch
 Dutch Belgium
 English



15

Message

Configure automatically?

Yes (OK) or No (Cancel)

en	Auto configuration	Manual configuration (Steps 16-22)
de	Auto-Konfiguration	Manuelle Konfiguration (Schritte 16-22)
fr	Configuration automatique	Configuration manuelle (étapes 16 à 22)
es	Configuración automática	Configuración manual (pasos 16-22)
it	Configurazione automatica	Configurazione manuale (passaggi 16-22)
tr	Otomatik konfigürasyon	Manuel konfigürasyon (Adım 16-22)

16

01-21-2021 10:08:58 L1

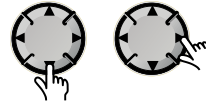
Siemens
 Tel: +41 58 724 2424



17

Main menu L1

1 - System status
 4 - Login
 5 - Lamp test
 8 - Query alarm counter
 9 - About



18

Login L1

Password: (4 digits)

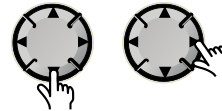
9999



19

Main menu L3

1 - System status
 2 - Operation
 3 - Event memory
 5 - Lamp test
 6 - Engineering
 7 - Logout



20

Engineering L3

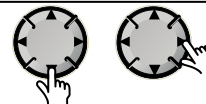
1 - Set date & time
 2 - Edit name / password
 3 - Detector line
 4 - Calibrate 4M card line
 5 - Alarm counter reset
 6 - Factory reset



21

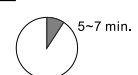
Eng. - Detector line L3

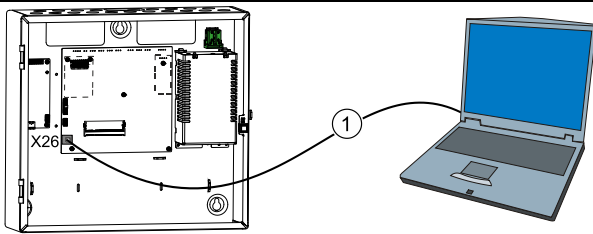
1 - Restart
 2 - Power off
 3 - Maintenance
 4 - Auto configuration
 5 - View
 6 - Locate



22

Warning:
 All programmed configuration will be overwritten.
 Continue?
 Yes (OK) or No (C)



23

X26: Terminal of PC connection

- ①: Ethernet, shielded patch cable, type CAT 5, CAT 5e, CAT 6, CAT 6e or CAT 7, max. 100 m

24

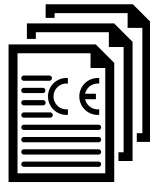
en	Open a browser (e.g., Google Chrome or Firefox) and enter 'fc360.siemens.com'. Configure by 'FC360 Panel Configurator' and test the system. Change the default login password for security reason. See document A6V10450595 for more details.
de	Einen Browser öffnen (z. B. Google Chrome oder Firefox) und 'fc360.siemens.com' eingeben. Mit 'FC360 Panel Configurator' konfigurieren und System testen. Voreingestelltes Login-Passwort aus Sicherheitsgründen ändern. Mehr Infos siehe Dokument A6V10450595.
fr	Ouvrir un navigateur (p. ex. Google Chrome ou Firefox) et taper 'fc360.siemens.com'. Configurer avec 'FC360 Panel Configurator' et tester le système. Pour des raisons de sécurité, veuillez modifier votre mot de passe de connexion par défaut. Cf. document A6V10450595 pour plus de détails.
es	Abra un navegador (p. ej., Google Chrome o Firefox) e introduzca 'fc360.siemens.com'. Lleve a cabo la configuración por medio del 'FC360 Panel Configurator' y pruebe el sistema. Cambie la contraseña de acceso predeterminada por razones de seguridad. Consulte el document A6V10450595 para obtener más información.
it	Aprire un browser Internet (Ad es. Google Chrome o Firefox) e digitare l'indirizzo 'fc360.siemens.com'. Configurare con il 'FC360 Panel Configurator' e testare il sistema. Per motivi di sicurezza, modificare la password di accesso predefinita. Per maggiori dettagli vedere il document A6V10450595.
tr	Bir tarayıcıyı açın (ör. Google Chrome veya Firefox) ve "fc360.siemens.com" yazın. "FC360 Panel Configurator" ile yapılandırın ve sistemi test edin. Güvenlik nedeniyle varsayılan oturum açma parolasını değiştirin. Daha fazla ayrıntı için A6V10450595 belgesine bakın.



A6V10421795



siemens.com 



downloads.siemens.com



FC361-ZZ
FC361-ZA
FC362-ZZ
FC362-ZA